

INSTALLATION INSTRUCTIONS

Item#2662-723 2662-717 (New. 12/30/2022)

READ AND SAVE THESE INSTRUCTIONS

WARNING! SHUT POWER OFF AT FUSE OR CIRCUIT BREAKER.
AVERTISSEMENT! COUPER LE COURANT AU NIVEAU DES FUSIBLES OU DU DISJONCTEUR.

ASSEMBLING THE FIXTURE (Fig. 1)

1. Shut off the power at the fuse box or circuit breaker. If necessary, remove old fixture, including mounting hardware.
2. Carefully remove fixture from carton and check that all parts are included as shown in the illustration.
3. Adjust arms (I) to proper position. Refer to illustration (L).

MOUNTING THE FIXTURE (Fig. 2)

4. Attach mounting plate to the outlet box (not included) with outlet box screws (Size: #8-32N*L1"). The side of the mounting plate with "GND" marked on it and two convex points must face out.

CONNECTING THE WIRES (Fig. 3)

5. Connect the electrical wires as shown in Fig. 3 making sure that all wire connectors are secured. If your outlet box has a ground wire (green or bare copper), connect the fixture's ground wire to it. Otherwise, connect the fixture's ground wire directly to the mounting plate using the green screw provided.
6. Tuck wire connections neatly into outlet box. Raise canopy to ceiling and secure with mounting screws.

FINISHING THE INSTALLATION (Fig.1)

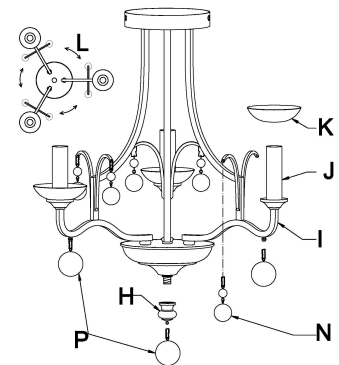
7. Place bobeches (K) over candle covers (J).
8. Hang wooden drops (N,P) on fixture body in proper position.
9. Thread finial (H) to fixture body and attach wooden drops (P).
10. Install (3) three candelabra base bulbs up to 60 watts each or CFL or LED equivalent (not included) in accordance with the fixture specification—**DO NOT EXCEED THE MAXIMUM WATTAGE RATING! (NE PAS DEPASSER LA PUISSANCE NOMINALE MAXIMALE!)**.

Your installation is now complete. Return power to the outlet box and test the fixture.

Note: Illustration (Fig. 1) on this manual is for installation purposes only. It may or may not be identical to the fixture purchased.

Fig. 1

Code	Wooden Drop For 2662-723	Wooden Drop For 2662-717	QTY/Item
N	WD2663-P2	WD2663-W2	6
P	WD2663-P4	WD2663-W4	4



Set#A-020-115A

-Mounting plate

-Ground screw

-Outlet box screw *2

Candle Cover (2662-723)# CCV21080P-737

Candle Cover (2662-717)# CCV21080P-778

Fig. 2

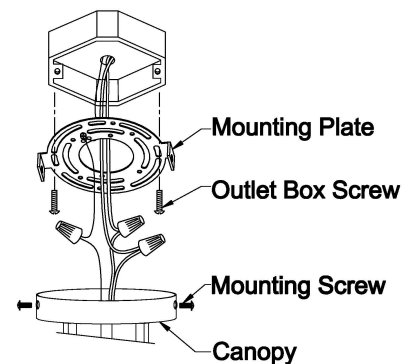


Fig. 3

